

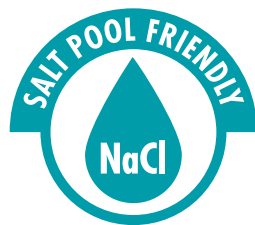
# SHOW YOUR STYLE!



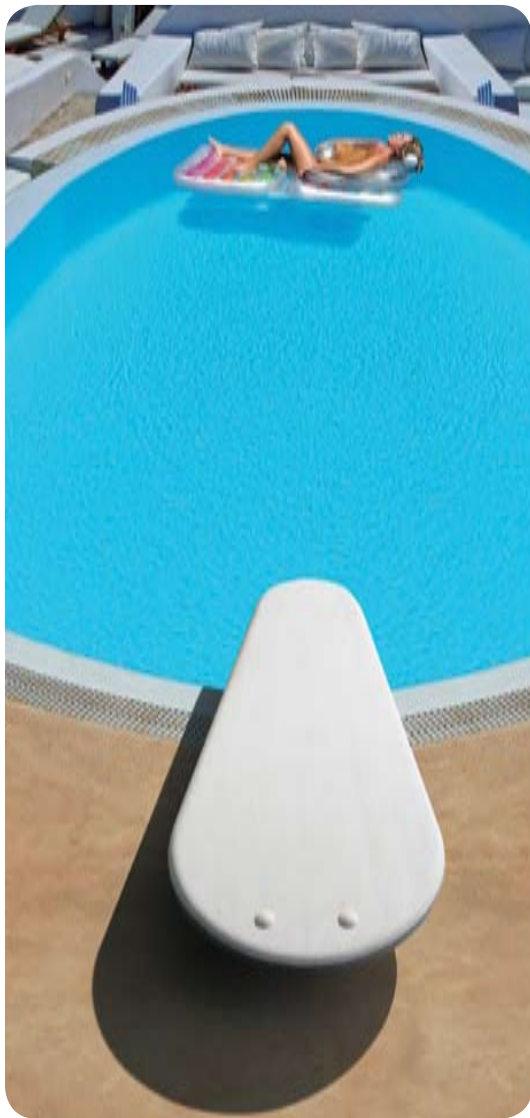
## *FreeStyle*<sup>™</sup>

### SHOW YOUR STYLE POOLSIDE!

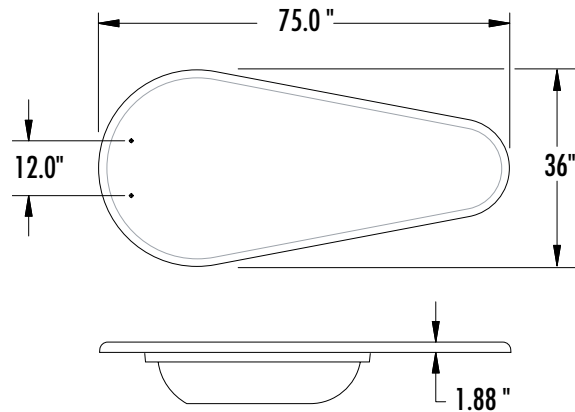
- Composite material diving board, increases board strength and lengthens product life
- Unique shape adds fun to your pool without detracting from your poolscape
- New stand designed specifically for use with this board, easily installs on existing 6' Flyte-Deck II jigs
- Can also be used with Cantilever, Supreme, and Flyte-Deck II stands
- Can be installed on Type I – V pools
- Twice the width of traditional diving boards at widest point
- Board has a matching SureFoot<sup>™</sup> non-slip tread for maximum safety



# FreeStyle™



Show your style poolside!



Sandstone



Gray Granite



White

Actual product colors may vary

All installations must comply with all applicable local and national codes and installation must be completed in accordance with S.R.Smith installation instructions.

## FREESTYLE ON D-LUX STAND

Model No.	Color
68-209-422	Radiant White
68-209-4223	Sandstone
68-209-4224	Gray Granite

## FREESTYLE ON CANTILEVER STAND

Model No.	Color	Stand Color
68-210-4262	Radiant White	White
68-210-42624	Gray Granite	Gray Granite
68-210-42623	Sandstone	Taupe

Max weight load: 250 lbs.

Copyright © 2008 S.R.Smith. All rights reserved.

M-E-BRO-57 03/08



Home Office, Sales and Manufacturing  
P.O. Box 400 • 1017 SW Berg Parkway  
Canby, OREGON 97013  
Phone 503.266.2231 • Fax 503.266.4334

www.srsmith.com 800.824.4387