

# VORTEX



## *Vortex*

Go high-end residential or crossover to commercial with this new multi-market slide. This closed or open flume slide is available with a ladder or staircase design so you can customize to fit your application.

- 10'7" overall height, 7'6" tall to the seat with a 19' corkscrew runway
- Available with a closed or open flume
- Available with a ladder or spiral staircase
- High-volume water delivery system (40 gpm)
- Rotomolded flume pieces with a steel frame
- Accommodates sliders up to 325 pounds
- Mounts to existing decks\*

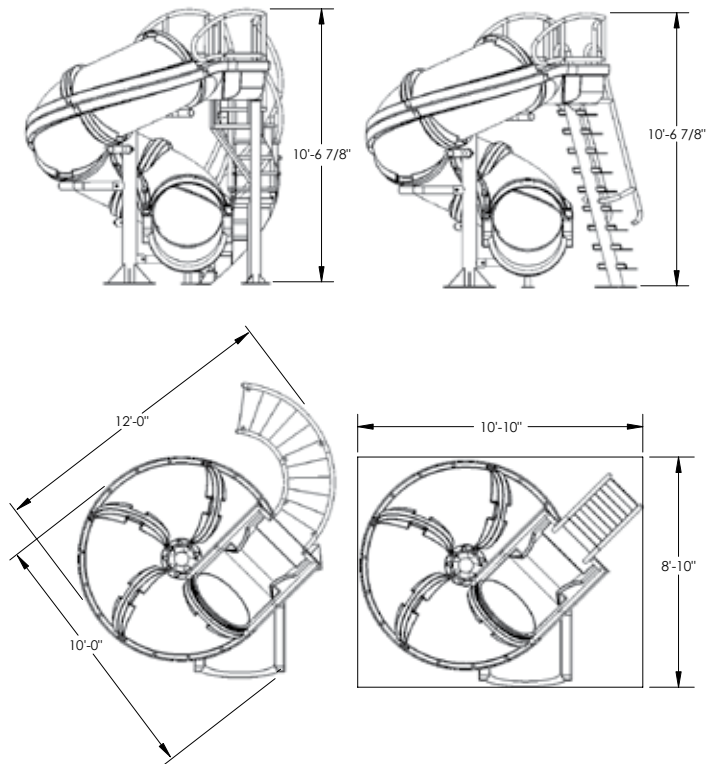
\*Consult with your local building code official for site-specific requirements





Vortex with Staircase

Vortex with Ladder



Actual product colors may vary

All installations must comply with all applicable local and national codes and installation must be completed in accordance with S.R.Smith installation instructions.

Model No.	Description
695-209-2A	Full Flume with Ladder
695-209-4A	Full Flume with Staircase
695-209-1A	Open Flume with Ladder
695-209-3A	Open Flume with Staircase

A = Color: 3 = Blue, 24 = Gray Granite